

Singer

753U 203

753U 303

754U 203

754U 303

ILLUSTRATED PARTS LIST

SINGER®

MACHINE

753U 203 (FLAT BED, BOTTOM COVER)
303 (2N, TAPE BINDING)
303 (3N, TAPE BINDING)

754U 203 (FLAT BED, TOP + BOTTOM COVER)
303 (2N, TAPE BINDING)
303 (3N, TAPE BINDING)

WHICH DIFFER FROM 753U200 MACHINE

300

754U200

300

®A registered trademark of The Singer Company Limited

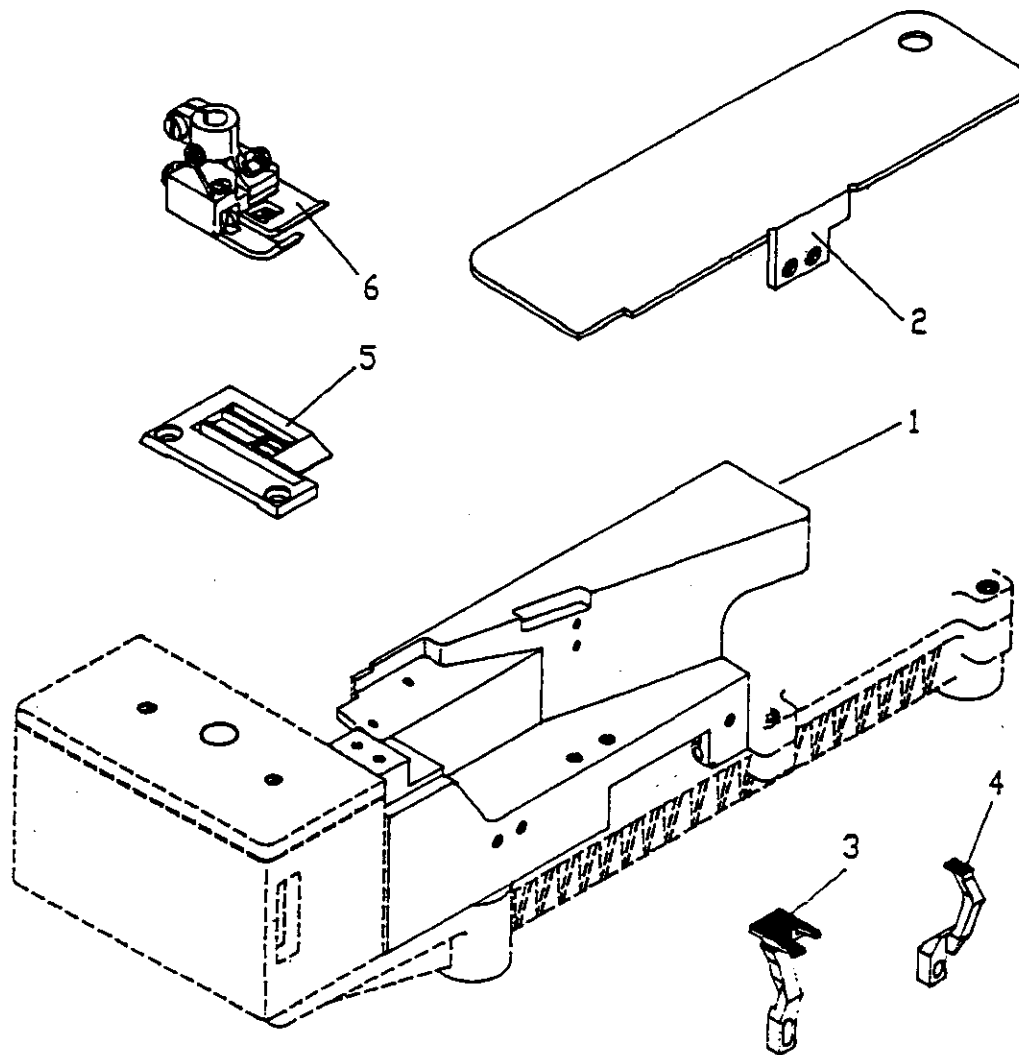
Copyright©1997 The Singer Company Limited

All Rights Reserved Throughout The World

From the library of: Superior Sewing Machine & Supply LLC

1. COLLARETTES OR KNITTED BINDING

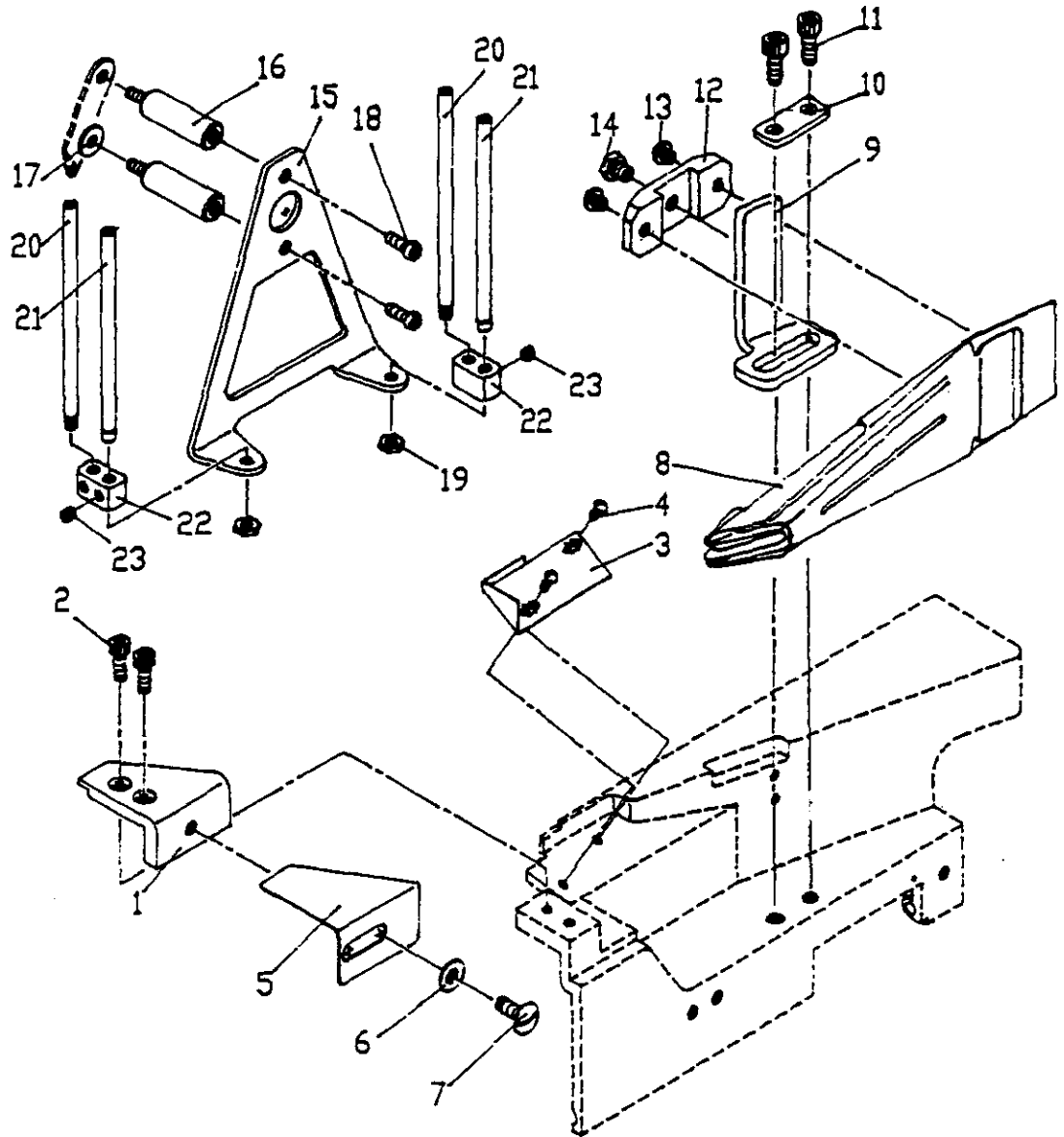
Note: When converting to a U300 it is also necessary to change the cloth plate (Large) to VF000201C200



Collarettes or Knitted Binding

| <u>Ref. No.</u> | <u>Part No.</u> | <u>Description</u> | <u>Q' ty</u> |
|-----------------|-----------------|---|--------------|
| 1 | VF030101C200 | Front Cover | 1 |
| 2 | VF030102B700 | Dust Cover | 1 |
| 3 | VFDF03563 | Main Feed Dog | 1 |
| 4 | VDF03563 | Differential Feed Dog | 1 |
| 5 | VTPC03403 | Needle Plate (Gauge : 4.0 mm for 753U203/754U203) | 1 |
| 5 | VTPC03483 | Needle Plate (Gauge : 4.8 mm for 753U203/754U203) | 1 |
| 5 | VTPC03563 | Needle Plate (Gauge : 5.6 mm) | 1 |
| 5 | VTPC03643 | Needle Plate (Gauge : 6.4 mm) | 1 |
| 6 | VPFC03403 | Presser Foot (Gauge : 4.0 mm for 753U203/754U203) | 1 |
| 6 | VPFC03483 | Presser Foot (Gauge : 4.8 mm for 753U203/754U203) | 1 |
| 6 | VPFC03563 | Presser Foot (Gauge : 5.6 mm) | 1 |
| 6 | VPFC03643 | Presser Foot (Gauge : 6.4 mm) | 1 |




2. FOLDER AND TAPE GUIDE



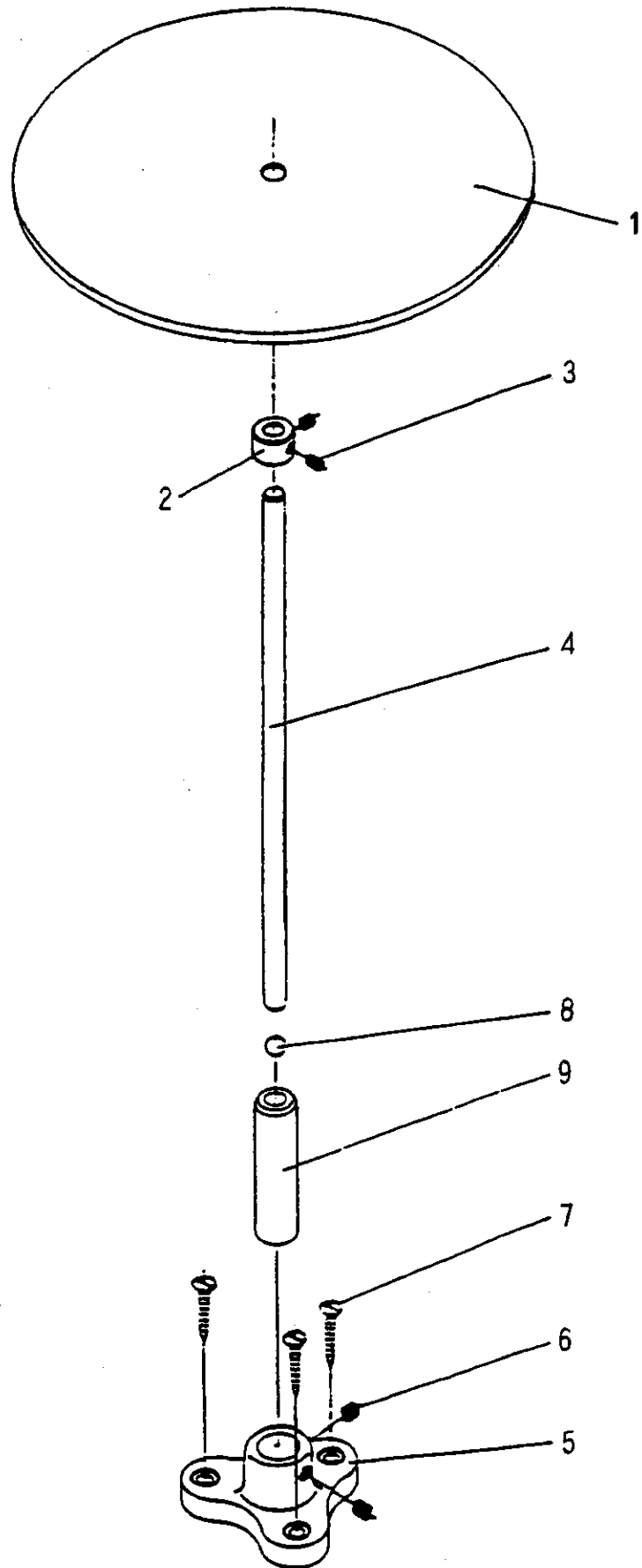
Folder and Tape Guide

| <u>Ref. No.</u> | <u>Part No.</u> | <u>Description</u> | <u>Q' ty</u> |
|-----------------|-----------------|-------------------------------|--------------|
| 1 | VF030201C200 | Fabric Slide Plate ----- | 1 |
| 2 | VMM04281207A | Screw ----- | 2 |
| 3 | VF030203C700 | Dust Cover ----- | 1 |
| 4 | VMB04280507K | Screw ----- | 2 |
| 5 | VC030214C700 | Fabric Slide Plate ----- | 1 |
| 6 | VC030216PW | Washer ----- | 1 |
| 7 | VMB05320710A | Screw ----- | 1 |
| 8 | ----- | Folder (See List Below) ----- | 1 |
| 9 | VF030209B700 | Folder Support ----- | 1 |
| 10 | VC030206B700 | Fixing Plate ----- | 1 |
| 11 | VMM05321409A | Screw ----- | 2 |
| 12 | VC030202B400 | Folder Clamp ----- | 1 |
| 13 | VSB44400407A | Screw ----- | 2 |
| 14 | VSK56320608A | Screw ----- | 1 |
| 15 | VC030218B700 | Tape Guide Holder ----- | 1 |
| 16 | VC030219C300 | Stud ----- | 2 |
| 17 | VC030220PW | Washer ----- | 1 |
| 18 | VMC04280807D | Screw ----- | 2 |
| 19 | VSA44400307A | Nut ----- | 2 |
| 20 | VC030223C300 | Tape Guide Holder ----- | 2 |
| 21 | VC030224C300 | Tape Guide Holder ----- | 2 |
| 22 | VC030225B400 | Tape Adjusting Holder ----- | 2 |
| 23 | VSN44400400A | Screw ----- | 4 |

8. Folder Type

| Folder Type |  Two Fold |  Three Fold |  Four Fold |
|-------------|--|--|---|
| Part No. | VF030208FD2 | VF030208FD3 | VF030208FD4 |

3. TAPE STAND



Tape Stand

| <u>Ref. No.</u> | <u>Part No.</u> | <u>Description</u> | <u>Q' ty</u> |
|-----------------|-----------------|---------------------|--------------|
| 1 | VTS0050101 | Plastic Plate ----- | 1 |
| 2 | V6030533D300 | Ring ----- | 1 |
| 3 | VSH5632C500A | Screw ----- | 2 |
| 4 | VTS0050104 | Rod ----- | 1 |
| 5 | VTS0050105 | Stand Base ----- | 1 |
| 6 | VSK60281207F | Screw ----- | 2 |
| 7 | VWF50202210A | Screw ----- | 3 |
| 8 | VB0100 | Ball ----- | 1 |
| 9 | VTS0050109 | Stand Base ----- | 1 |